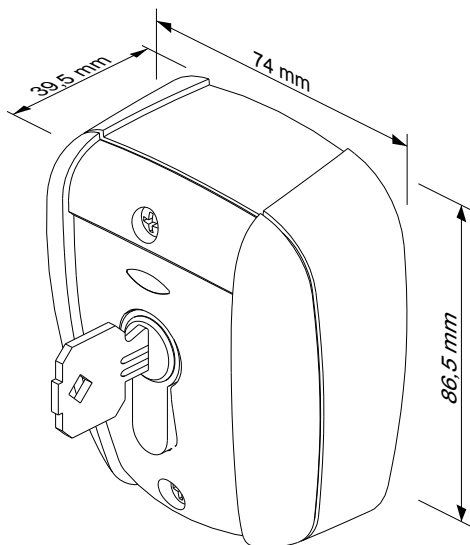
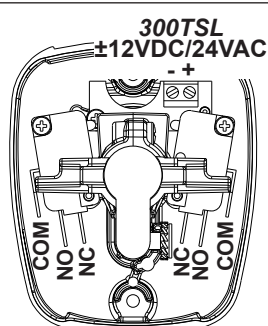
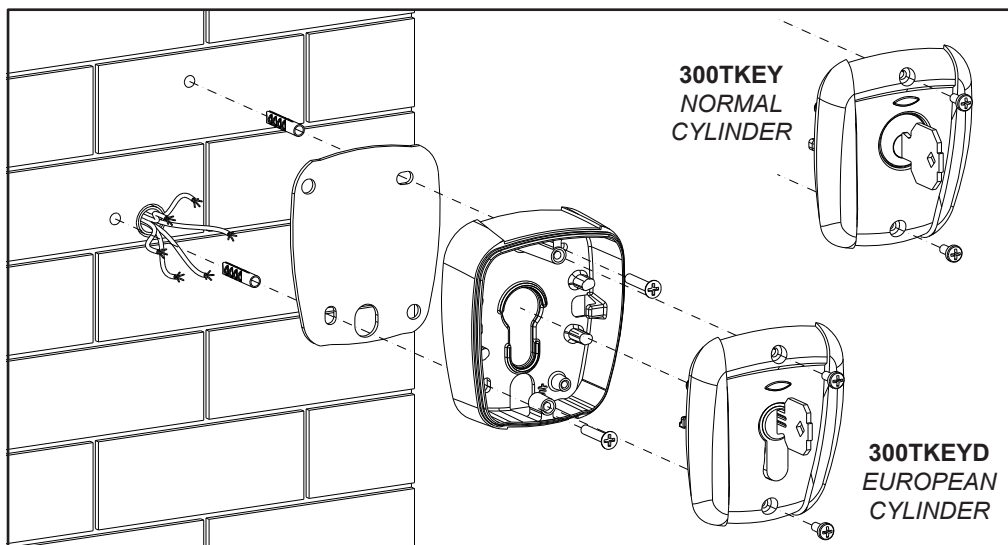


300TKEY - 300TKEYD

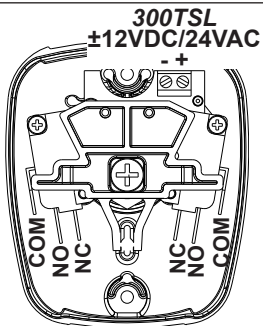
KEY SWITCH



Lock	2 positions with spring recovery
Contacts	2 microswitches with exchange contact
Contact capacity	Max: 250Vac - 16A / 250Vdc - 0,3A
Protected to	IP 44 (with item installed vertically)
Illumination	-



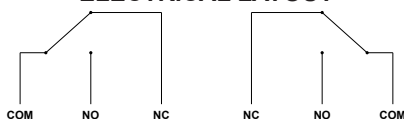
300KEYD



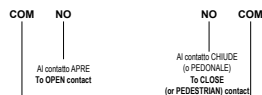
300KEY

- I - NC = Normalmente Chiuso - NO = Normalmente Aperto
- GB - NC = Normally Closed - NO = Normally Open
- D - NC = Gewöhnlich geschlossen - NO = Gewöhnlich geöffnet
- F - NC = Normalement Fermé - NO = Normalement Ouvert
- E - NC = Normalmente Cerrado - NO = Normalmente Abierto

ELECTRICAL LAYOUT



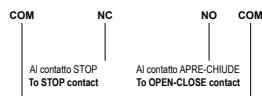
**Collegamento
APRE-CHIUDE/
PEDONALE**



**OPEN-CLOSE/
PEDESTRIAN
connection**

Al contatto comune della centrale
To common contact of control board

**Collegamento
APRE - CHIUDE
/ STOP**



**OPEN - CLOSE
/ STOP
connection**

Al contatto comune della centrale
To common contact of control board

